



// FEATURES

- ❖ The first thumb-turn and battery-free mechatronic locking cylinder from SimonsVoss.
- ❖ Available in various designs for long-term outdoor use, withstanding rain, UV radiation and temperature fluctuations.
- ❖ The selection of sustainable materials includes the use of pressure die-castings and the avoidance of lead (RoHS).
- ❖ The special drilling protection shields the actuator electronics and cylinder profile from external attacks.
- ❖ Future-proof investment forms part of the SimonsVoss promise. The FORTLOX Cylinder can be integrated into an existing SimonsVoss system.
- ❖ Maintenance-free.
- ❖ Made in Germany!

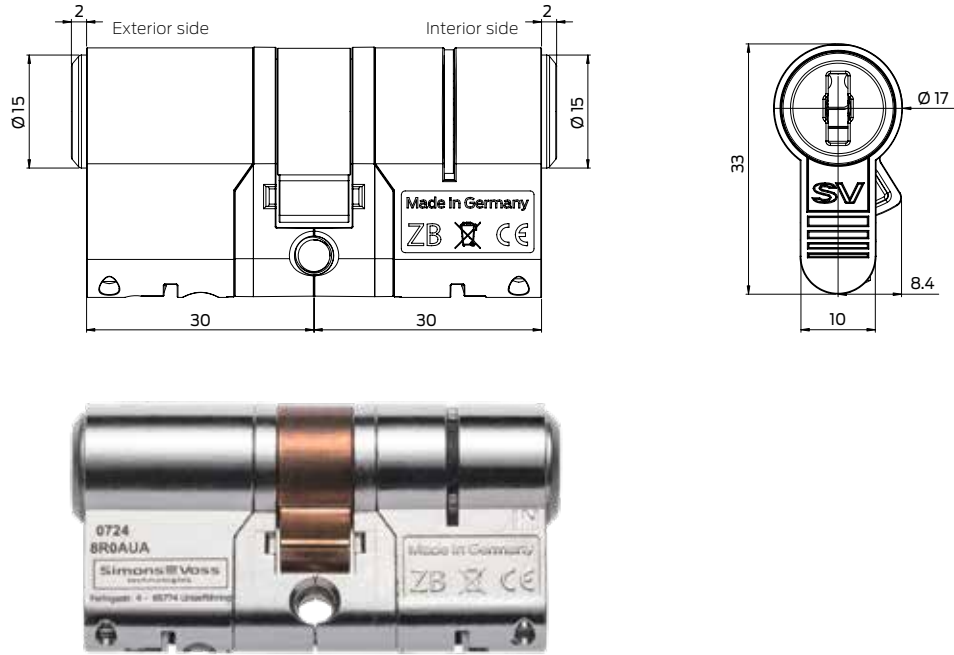
❖ Area of application technical infrastructure:

Examples include substations, waterworks, wind turbines, radio mast relay stations, transformers, key safes, meter connection columns, mains distribution boxes, and fire brigade key tubes

// TECHNICAL DATA

Profiles	<ul style="list-style-type: none"> ❖ Euro Profile Cylinder (EU) ❖ Scandinavian Oval (SO) ❖ Lever cylinder (LE) ❖ Padlock (PL) 	Access events storable offline (.ZK option)	up to 3,000
Basic length	Standard: from 30-30 mm Half cylinder: 30-10 mm	Time zone groups	100+1
Extensions	up to max. side length 65 mm	Number of credentials per cylinder	Up to 64,000
Reader systems	Contact-based	The number of cylinders that can be managed by each FORTLOX Key	256,000
Operating modes	Offline, virtual network	Virtual network	available
Batteries	-	Can be upgraded	Firmware upgradable via BLE with a FORTLOX Key (OTA)
Battery life	-	Certificates	❖ DIN EN 15684:2021-05: Classification code 16B40D3D
Temperature range	-25°C to +65°C		
Protection rating	IP54 (standard) / IP67 (.WP option)		
Signalling	None		

// DIMENSIONS (EURO PROFILE/EU)



// PRODUCT VERSIONS

 FORTLOX CYLINDER

FORTLOX Cylinder - half cylinder With integrated drill protection, can be operated with FORTLOX Key, installation length 30-10 mm	SV-ZB.EU.HZ.*
Euro Profile FORTLOX Cylinder - Comfortable, one side readable, inside blind One side reading, inside blind, installation length 30-30 mm, integrated drilling protection, can be operated with FORTLOX Key	SV-ZB.EU.CB.*
Euro Profile FORTLOX Cylinder - one side readable, inside blind One side readable with dummy inside, installation length 30-30 mm, integrated drilling protection, can be operated with FORTLOX Key	SV-ZB.EU.CD.*
Euro Profile FORTLOX Cylinder - lever cylinder with 19 mm hole diameter, integrated drilling protection, can be operated with FORTLOX Key	SV-ZB.LE.*
FORTLOX Cylinder - padlock shackle diameter 8 mm and inside height of shackle 25 mm with integrated drilling protection and IP67, can be operated with FORTLOX Key	SV-ZB.PL.*

OPTIONS

Version with access control, time zone control and event logging	.ZK
Version with extreme protection (protection against contamination, e.g. by insects)	.EP
Weatherproof version, protection rating IP67 For use in exterior doors and doors exposed to heavy splashes and jets of water	.WP

See price list for further variants, options and accessories.

Measurements indicated in mm