



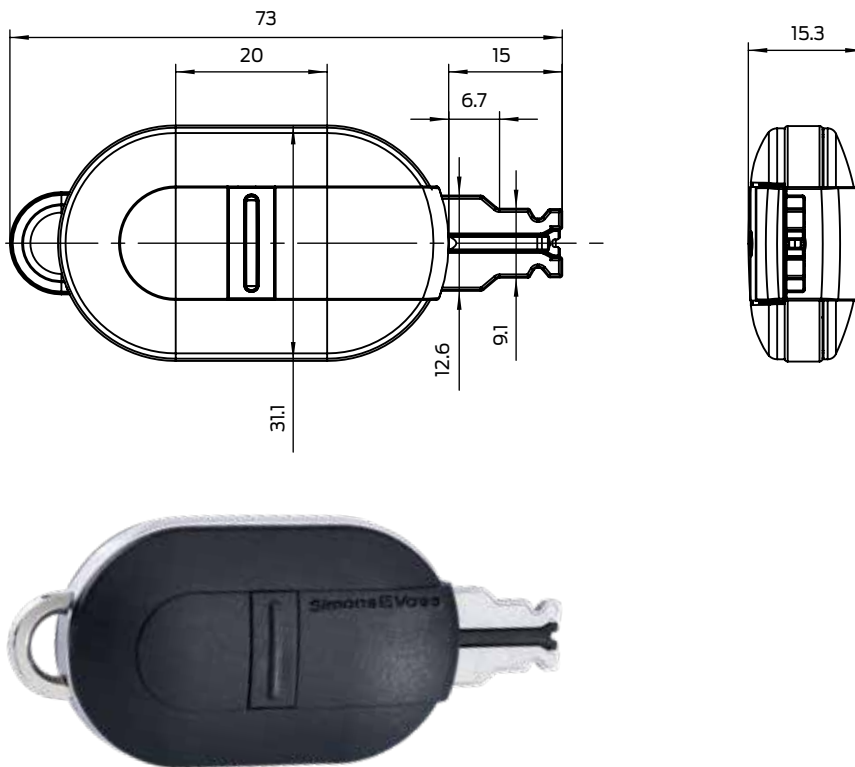
## // FEATURES

- ❖ The FORTLOX Key is used for identification in the FORTLOX series and can also be used as an identification medium for our digital locking cylinders, SmartHandles and SmartRelays in System 3060.
- ❖ With the RFID inlay, passive communication is possible using MIFARE® DESFire®.
- ❖ Made in Germany! A given with us.

## // TECHNICAL DATA

Housing	black plastic (polyamide)	Temperature range	-25°C to +65°C
Dimensions (WxHxT)	31 x 15 x 73 mm	Protection rating	IP67
Weight	32.2 g	Signalling	None
Typical read range	<ul style="list-style-type: none"> <li>❖ up to 20-40 cm to cylinder</li> <li>❖ up to 40 cm to SmartHandle</li> <li>❖ up to 120 cm to SmartRelay</li> </ul>	Time zone groups	100+1
Battery type	CR2450 3V Lithium Quantity: 1	Number of locking devices that can be managed by each Key	256,000
Battery life	up to 100,000 activations or up to five years on standby	Adjustable validity	more than 10 years
		Storage of datasets	<ul style="list-style-type: none"> <li>❖ G2 locking systems</li> <li>❖ Physical access list with up to 1,000 storable access events</li> </ul>
		Can be upgraded	Firmware upgradable via BLE

// DIMENSIONS



// PRODUCT VERSIONS

Hybrid version with active technology, BLE, single wire in anthracite grey

SV-TRA.G2.ZB.H.GY.

Version with RFID inlay, MIFARE® DESFire® EV3 8K

\*RF.DESFIRE8K

See price list for further variants, options and accessories.

Measurements indicated in mm