



// **FEATURES**

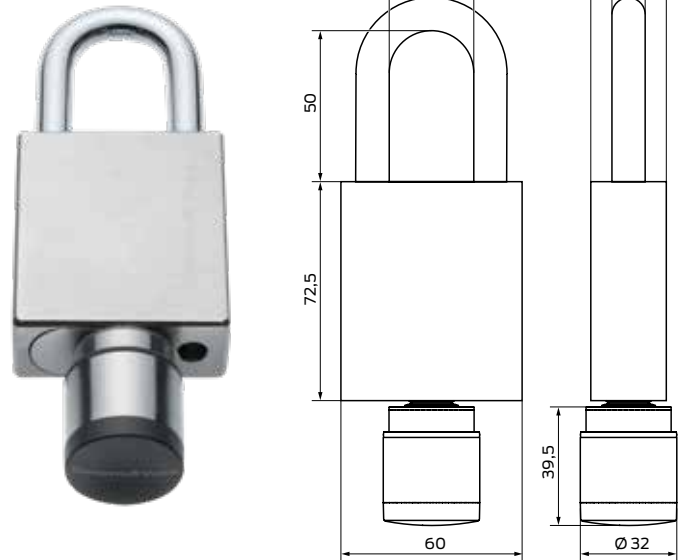
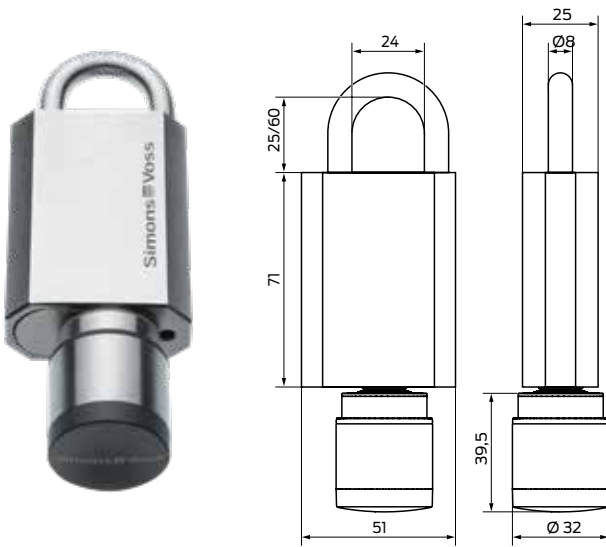
- ❖ Optimum data security: The SecureElement stores the encrypted system data and forms part of the new AX security architecture. This special chip is an integral part of authentication and safely protects against external attacks.
- ❖ Drilling protection protects the actuator electronics and the cylinder profile.
- ❖ Hardened lock body and shackle, protection class 4 as per EN 12320 (11 mm version).
- ❖ All reader variants, whether active, passive or hybrid, can be integrated at any time and are supported by Bluetooth Low Energy (BLE) technology.
- ❖ Extremely long battery life with up to 10 years on stand-by.
- ❖ Future-proof investment forms part of the SimonsVoss promise. The Cylinder AX can be integrated into an existing system (backwards compatible with existing components).
- ❖ Room for beauty: the Cylinder AX not only impresses with its appearance, but also thanks to its pleasant touch with ergonomic thumb-turns.
- ❖ Greater ease of use thanks to visual and audible feedback signals.
- ❖ German-made. A given for us.

// **TECHNICAL DATA**

Dimensions of base body without thumb-turn/shackle	70 × 51 × 25 mm (8 mm shackle) or 72.5 × 60 × 25 mm (11 mm shackle)	Temperature range	Operation: -25 °C to +65 °C
Shackle diameter	8 mm/11 mm	Protection rating	IP67 (.WP option)
Inside height of shackle	25/60 mm (8 mm shackle) or 50 mm (11 mm shackle)	Signalling	Audible (buzzer) and/or visual (LED – green / red)
Thumb-turns	Reader thumb-turn: Plastic cover black grey (RAL 7021) Rotary thumb-turn: stainless steel Diameter: 32 mm; length: 39.5 mm	Access events storable offline (.ZK option)	up to 3,000
Reader systems	<ul style="list-style-type: none"> ❖ Active transponder technology, 25 kHz ❖ Passive (MIFARE® DESFire®) ❖ Hybrid (active and passive) ❖ Bluetooth Low Energy (BLE) 	Time zone groups	100+1
Operation types	Offline, virtual network and online (can be combined)	Number of media per cylinder	Up to 64,000
Battery type	2 x CR 2450, 3 V lithium	Number of cylinders that can be managed per transponder	304,000
Battery life	Up to 10 years on standby or 100,000 activations (standard)	Wireless network 868 MHz	Network-ready with integrated LockNode (can be retrofit)
		Can be upgraded	Firmware upgradable via BLE
		Certificates	Class 3 (shackle diameter 8 mm) or Class 4 (shackle diameter 11 mm) as per EN 12320 (lock body)

// DIMENSIONS (SHACKLE DIAMETER 8 MM)

// DIMENSIONS (SHACKLE DIAMETER 11 MM)



// PRODUCT VERSIONS

DIGITAL PADLOCKS – SHACKLE DIAMETER OF 8 MM

Digital Padlock AX; shackle diameter: 8 mm; inside height of shackle: 25 mm; manual locking; integrated drilling protection; can be operated with SimonsVoss transponders	SV-Z5.PL.08.25.ML.A.G2.WP
Digital Padlock AX; shackle diameter: 8 mm; inside height of shackle: 25 mm; self-locking; integrated drilling protection; can be operated with SimonsVoss transponders	SV-Z5.PL.08.25.SL.A.G2.WP
Digital Padlock AX; shackle diameter: 8 mm; inside height of shackle: 60 mm; manual locking; integrated drilling protection; can be operated with SimonsVoss transponders	SV-Z5.PL.08.60.ML.A.G2.WP
Digital Padlock AX; shackle diameter: 8 mm; inside height of shackle: 60 mm; self-locking; integrated drilling protection; can be operated with SimonsVoss transponders	SV-Z5.PL.08.60.SL.A.G2.WP

DIGITAL PADLOCKS – SHACKLE DIAMETER OF 11 MM

Digital Padlock AX; shackle diameter: 11 mm; inside height of shackle: 50 mm; manual locking; integrated drilling protection; can be operated with SimonsVoss transponders	SV-Z5.PL.11.50.ML.A.G2.WP
Digital Padlock AX; shackle diameter: 11 mm; inside height of shackle: 50 mm; self-locking; integrated drilling protection; can be operated with SimonsVoss transponders	SV-Z5.PL.11.50.SL.A.G2.WP

OPTIONS

Version with access control, time zone control and event logging	.ZK
Version with integrated network board for networking	.LN



OPTIONAL READER SYSTEMS:

Passive (MIFARE® DESFire®)	.M.G2
Hybrid (active and passive)	.AM.G2

See price list for further variants, options and accessories.

Measurements indicated in mm