



// FEATURES

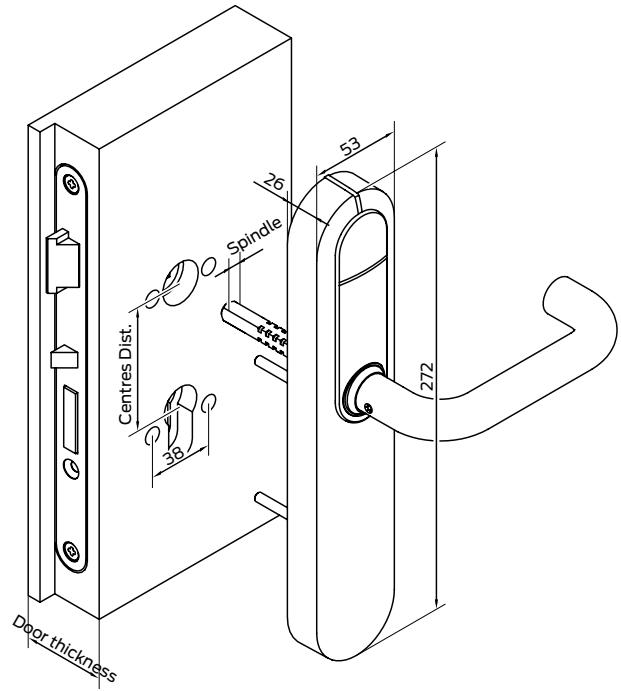
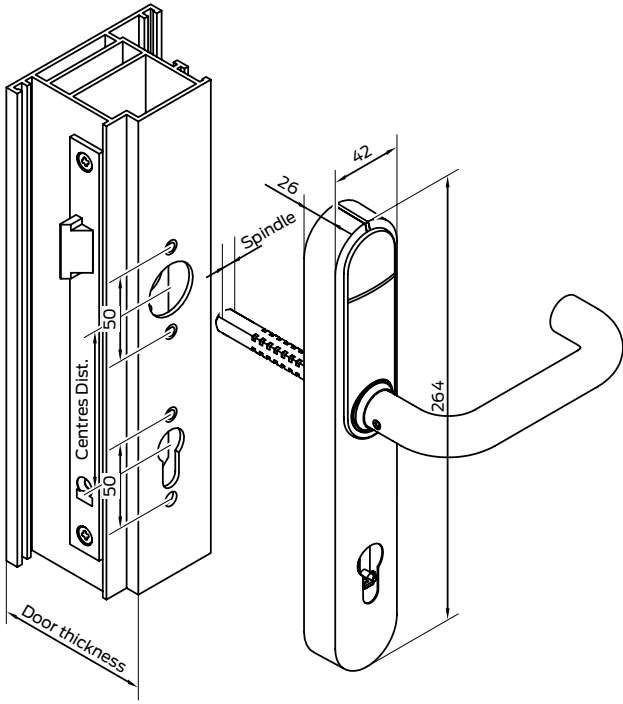
- ❖ Optimal solution for your installation situation: Installation takes place in a short time without additional drilling holes on full leaf and frame doors (DIN 18251), including optional mechanical secondary locking.
- ❖ Suitable for outdoor use (IP66), available as protective fitting (ES3 / RC4) and can be combined with panic bars (EN1125).
- ❖ The SmartHandle AX Advanced can be adjusted to door thickness, centres distance and square size.
- ❖ Timeless design: High-quality brushed stainless steel cover, which can be combined with elegant lever handles, also from well-known manufacturers (e.g. FSB).
- ❖ The integrated Secure Element protects data, securely authenticates access and prevents tampering.
- ❖ Investment security is part of the SimonsVoss promise. Open the SmartHandle AX Advanced even with your first generation transponder.
- ❖ An additional test in line with EN 16867 demonstrated a sustained functional reliability of 1 million test cycles.
- ❖ German manufactured.

// TECHNICAL DATA

Variants	Installation variants for Tubular frame doors (oval escutcheons) and full-leaf doors with Euro-PC and Swiss Round (round escutcheons, short backplate, long backplate, protective fitting and and others), Scandinavian Oval and panic bar adaptations	Operation types	Online, virtual network and offline (can be combined)
Dimensions cover narrow (WxHxD)	❖ 42x264x26 mm	Battery type	4 x CR2450 3V lithium
Dimensions cover broad (WxHxD)	❖ 53x272x26 mm	Battery life	Up to 10 years stand-by or 200,000 lock operations (active) 100,000 lock operations (passive)
Door dimension specifications (depending on variant)	❖ Door thickness: 32–185 mm ❖ Centres distance: 70–105 mm ❖ Spindle: 7   8   8,5   9   10	Temperatur range	Operational: -25°C to +60°C
Reading systems	❖ Active transponder technology 25 KHz ❖ Passive technology 13,56 MHz (MIFARE® DESFire®) ❖ Hybrid (active und passive) ❖ Bluetooth® Low Energy	Protection rating	Up to IP66 (Option .WP)
		Signalling	Audible (Buzzer) Visual (LED - green/red)
		Loggable access events	Up to 3,000
		Time zone groups	100+1
		Number of media which can be managed per SmartHandle AX Advanced	Up to 64,000
		Radio network	Network-ready with integrated LockNode (can be retrofit)
		Can be upgraded	Firmware upgradable

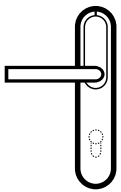
// VARIANT OVAL ESCUTCHEONS

// VARIANT ROUND ESCUTCHEONS



Measurements indicated in mm

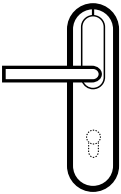
// VARIANTS



K1 / N1 / N2 / N3 / M1 / M2 / A4

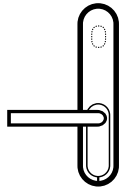
for tubular frame doors with oval escutcheons or full-leaf doors with long plate / short plate holes for Euro-PC and SR.

Available as protective fitting and with panic bar adaptation, Observe compatibility.



L1

for full-leaf doors with round escutcheons for Euro-PC and SR.



P1

for doors with Scandinavian Oval profile.

// CERTIFICATES

- DIN EN 16867
- DIN EN 1634
- DIN EN 179
- DIN EN 1906 (Class 4)
- DIN EN 1125
- DIN 18257 (ES3) (Variant M1)
- PAS24 (in preparation)
- SKG\*\*\* (Variant M2)

// HANDLE

A



B



C



D



E



F



L



// FINISHES

-  Silver/white
-  Silver/black grey
-  Silver/jet black
-  Brass/white
-  Brass/black grey