



// **FEATURES**

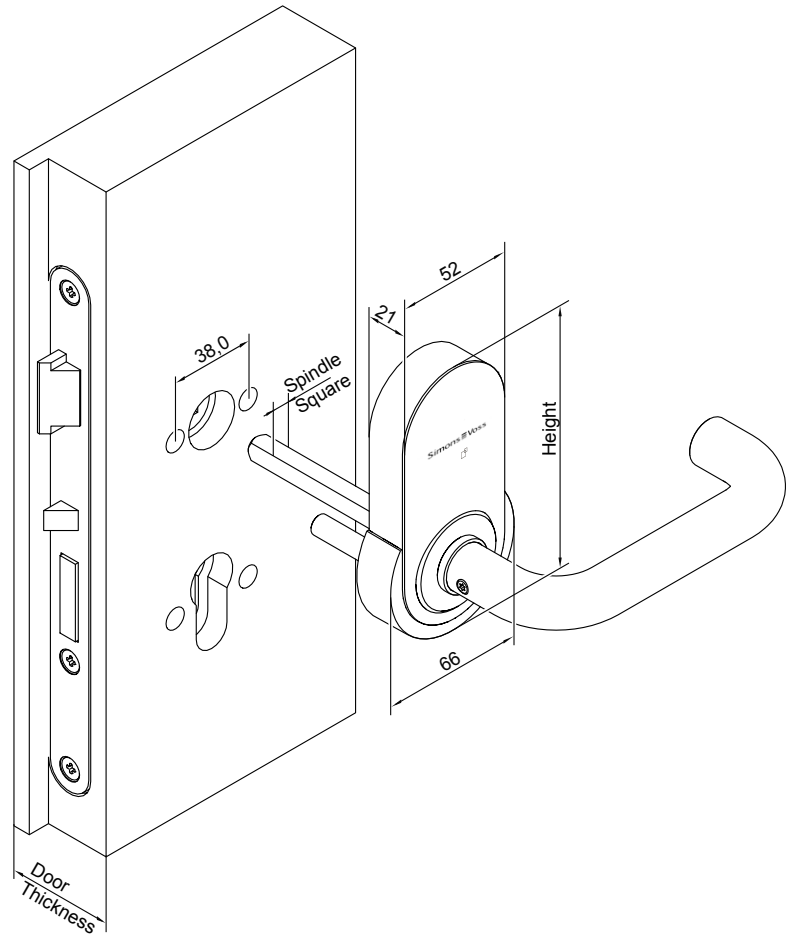
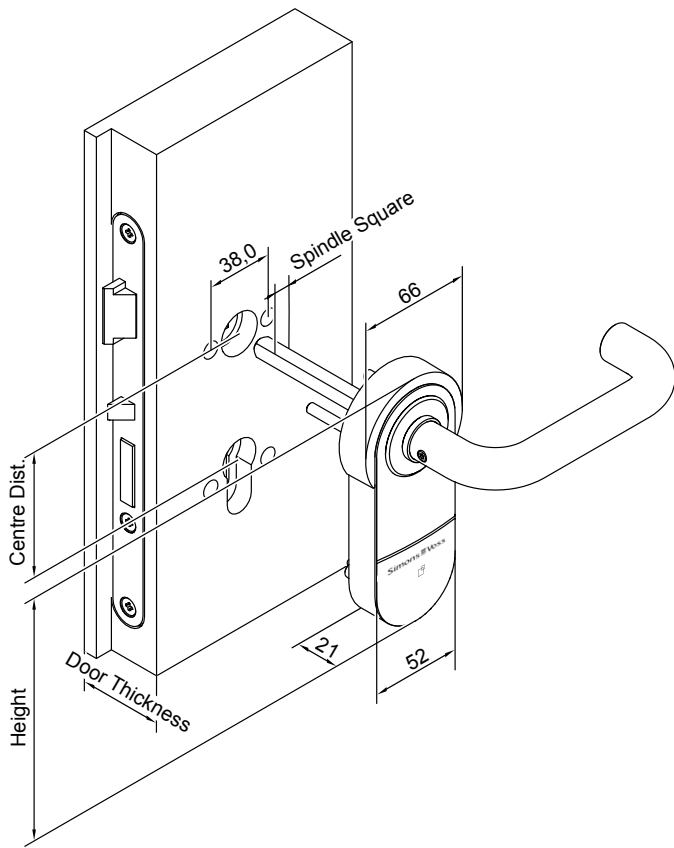
- ❑ Provide a flexible solution to any situation on site: SmartHandle AX can be adapted to the spindle, door thickness and centres distance. The handle itself can be mounted on the left or right. Suitable for metal frame doors and mounting on oval escutcheons.
- ❑ Room for beauty: with its characteristic, adaptive design, the AX fitting can be combined with standard handles from renowned manufacturers.
- ❑ Operational reliability is decisive. That's why we have invested in mechanical and electronic quality and stability with the AX fitting. SmartHandle AX features extremely precise handle clearance. It has successfully completed a durability test of 1 million cycles.
- ❑ The SmartHandle AX, for example, has a high-precision handle with minimal play.
- ❑ Maximum data security thanks to the integrated Secure Element.
- ❑ Made in Germany.  
A given for us.

// **TECHNICAL DATA**

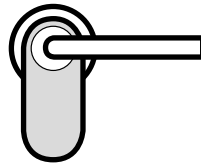
Variantes	<ul style="list-style-type: none"> <li>❑ Euro Profile cylinder (A)</li> <li>❑ Swiss Round (B)</li> </ul>	Battery life	Up to 150,000 activations or up to 10 years on stand-by
Door dimension specifications	<ul style="list-style-type: none"> <li>❑ Door thickness: 38 - 200 mm</li> <li>❑ Centres distance: 70 - 110 mm</li> <li>❑ Spindle: 7   8   8.5   9   10</li> </ul>	Offline: SVCN	
Operation types	<ul style="list-style-type: none"> <li>❑ Wireless Online (WO)</li> <li>❑ Offline: SimonsVoss Virtual Card Network (SVCN)</li> <li>❑ Offline: OSS Standard Offline (OSS SO)</li> </ul>	Offline: OSS SO	Temperature range
Leaseverfahren	<ul style="list-style-type: none"> <li>❑ WO: MIFARE® Classic, MIFARE® DESFire® EV1/EV2/EV3, UID (card serial number) in accordance with ISO 14443 (e.g. MIFARE®, Legic® Advant, HID® SEOS)</li> <li>❑ VCN: MIFARE® Classic, MIFARE® DESFire® EV1/EV2/EV3</li> <li>❑ OSS: MIFARE® DESFire® EV1/EV2/EV3</li> </ul>	Temperature range	Operational: -25°C to +50 °C
Number & type of battery	4x CR2450 3V lithium	Signalling	<ul style="list-style-type: none"> <li>❑ Audible (buzzer)</li> <li>❑ Visual (LED – green/red)</li> </ul>
Battery life Wireless Online(WO)	Up to 100,000 activations. or up to 9 years on stand-by	IP classification	40
		Upgradeable via BLE	Firmware upgradable
		Integrator-specific values: number of media, time profiles,..	Dependent upon system integrator
		Storable access events	Up to 1000
		Radio network 868 MHz	Directly networked with integrated LockNode (WO)
		Certificates	<ul style="list-style-type: none"> <li>❑ General building authority approval</li> <li>❑ DIN EN 1634</li> <li>❑ DIN EN 179</li> <li>❑ DIN EN 1906 (Grade 4)</li> <li>❑ DIN EN 1125</li> <li>❑ DIN EN 16867</li> <li>❑ PAS24</li> </ul>

// SUSPENDED VARIANT

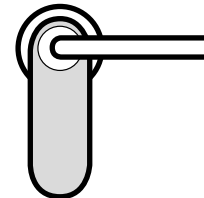
// STATIONARY VARIANT



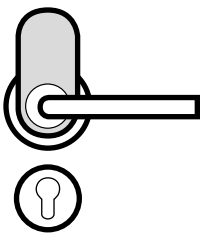
// VARIANTS



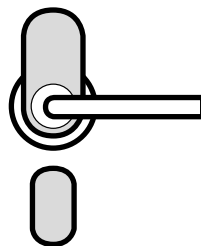
**A1 / B1** for mortise lock centres distance: 70-79 mm  
WxHxD: 66 x 140 x 21 mm



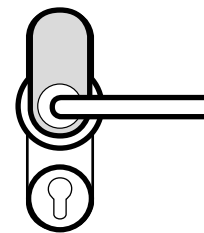
**A2 / B2** for mortise lock centres distance: 70-110 mm  
WxHxD: 66 x 174 x 21 mm



**A0 / B0** can be supplied with escutcheon covers with/without Profile Cylinder cut-out  
WxHxD: 66 x 120 x 21 mm

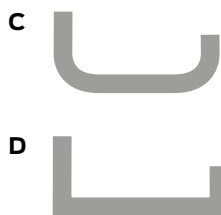
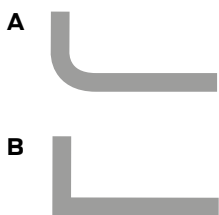


**A3** for metal frame doors with oval escutcheons (50 mm hole pattern) – profile width: min. 65 mm  
WxHxD: 66 x 120 x 26 mm






**A4** for panic bar adaptation. Observe compatibility.  
WxHxD: 66 x 120 x 25 mm

// HANDLES



// FINISHES

-  Silver/white
-  Silver/black grey
-  Brass/white